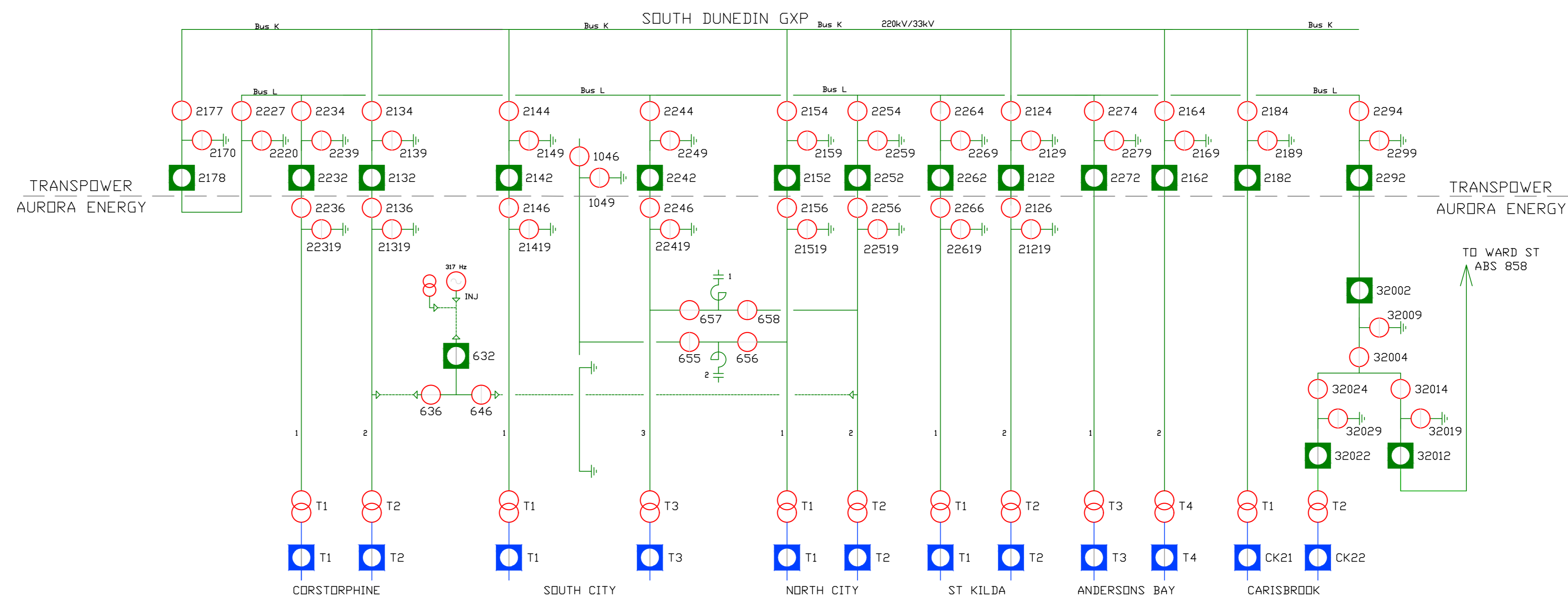


Amendments:

- 27-02-08 Berwick Switchgear changed
- 27-08-08 Berwick Switchgear changed, earth added to CB 2649
- 06-08-13 Added Isolator Switches & Earths AB&C Lines Berwick
- 10-02-15 Conversion stage 5.6 South Dunedin GXP GIS install
- 10-01-19 Links E326 in line with E322 at Berwick sub
- 02-5-19 Carisbrook project
- 13-08-20 Incorrect placeholder Isolator switches removed. AB T1 Isolators for Anderson's Bay removed and Carisbrook CB 32012 set to closed
- 15-10-20 AB T2 Isolators for Anderson's Bay removed
- 13-11-20 MAJOR OVERHAUL of HWB Take-off area regarding Transpower's assets
- 30-04-21 E304 replaced with E440
- 16-09-21 OUTRAM T3 replaces T1 & Mobile sub connection point
- 7-10-21 VTs added and South City T2 Mobile sub removed from plan
- 29-10-21 31152, 31154, 31156 added at Outram
- 17-01-22 Berwick Zone Sub Mobile sub connection point Links E330
- 02-06-22 E610 now connected to WB33-1 and not to GI33-1
- 03-06-22 Transpower VT removed from diagram
- 22-06-22 Links E330 removed. Links 324 is the correct Mobile Sub connection point
- 18-08-22 Transpower Isolator Switch corrected to 2644
- 11-05-23 Links E330 re-installed in Berwick Zone Sub
- 20-07-23 Remove E620, E622, E624 and E626 at Green Island Zone Sub
- 10-05-24 Andersons Bay T1 & T2 changed to T3 & T4
- 27-11-25 Switch 32014 is actually closed
- 23-12-25 Green Island CB T3 changed to GI221 & CB T4 changed to GI222



Approved: 27/01/26
Date Issued: 27/01/26